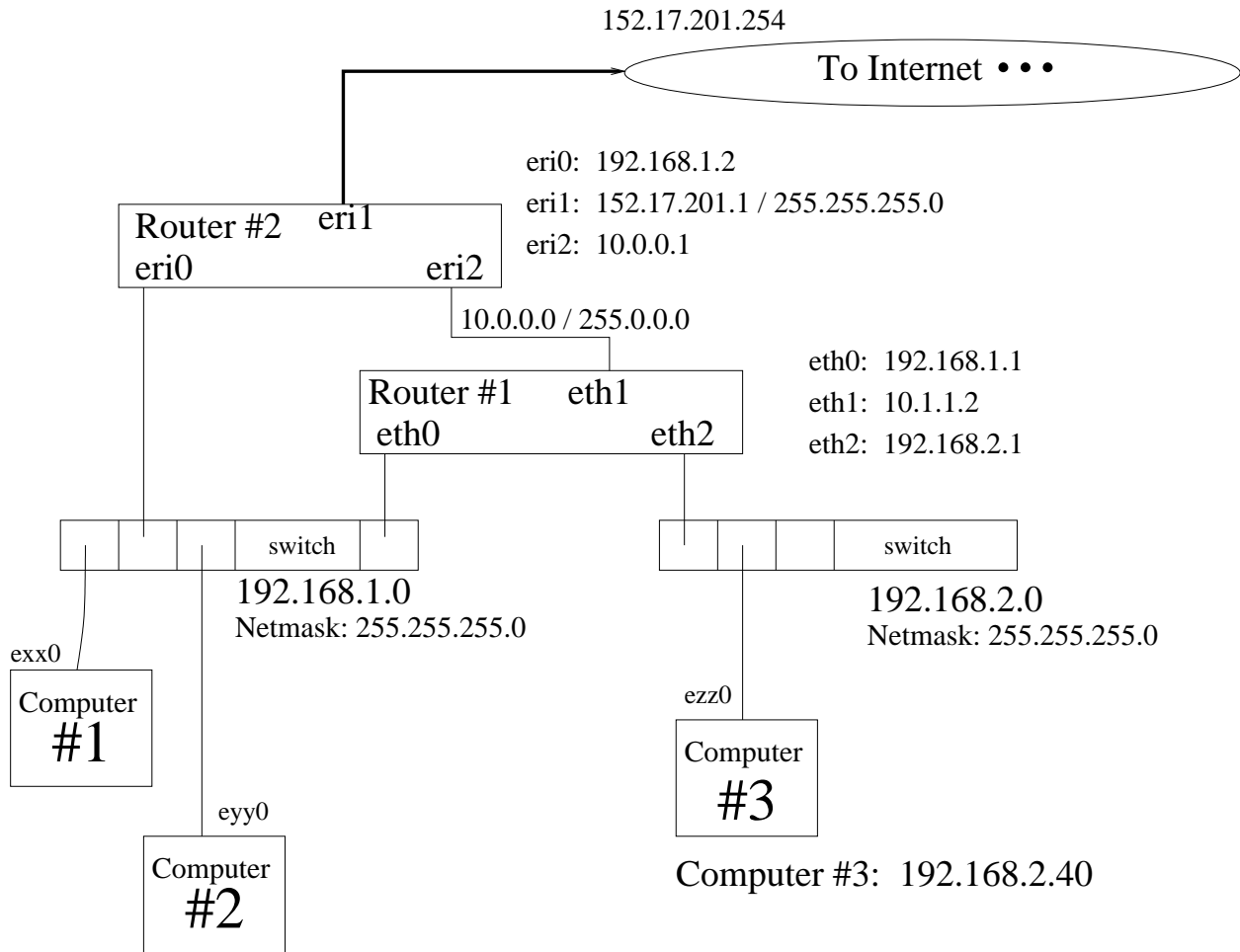


Routing Tables



Computer #1: 192.168.1.10

Computer #2: 192.168.1.20

Routing Table for Computer #1

Destination	Gateway	Interface
192.168.1.0	————	exx0
192.168.2.0	192.168.1.1	exx0
Default	192.168.1.2	exx0

Routing Table for Computer #3

Destination	Gateway	Interface
192.168.2.0	————	ezz0
192.168.1.0	192.168.2.1	ezz0
Default	192.168.2.1	ezz0

Routing Table for Router #1

Destination	Gateway	Interface
192.168.1.0	————	eth0
192.168.2.0	————	eth2
Default	10.0.0.1	eth1

Routing Table for Router #2

Destination	Gateway	Interface
192.168.1.0	————	eri0
192.168.2.0	10.1.1.2	eri2
Default	152.17.201.254	eri1